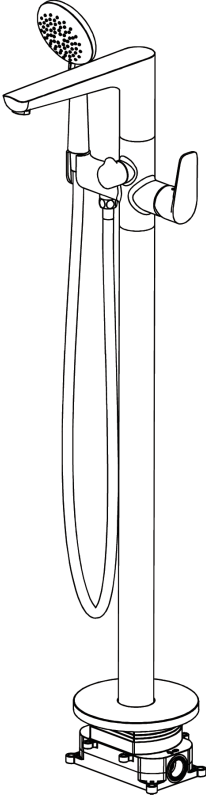
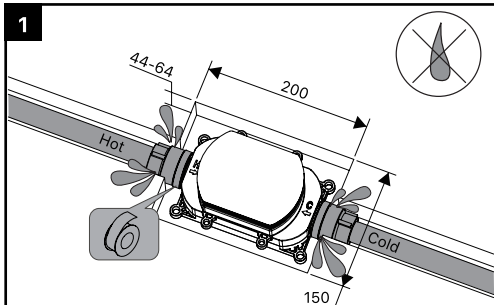


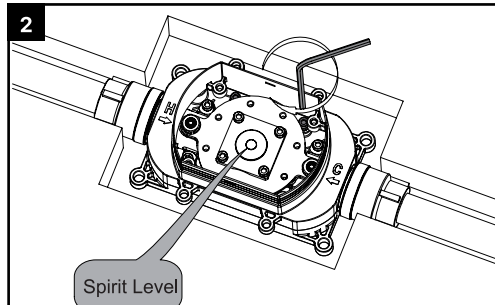
INSTALLATION INSTRUCTIONS



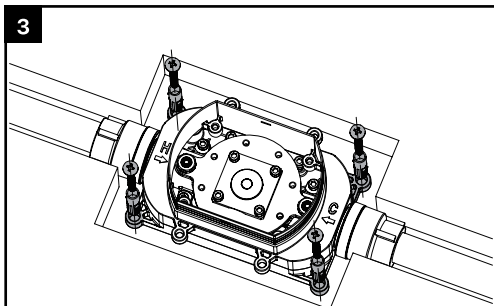
Installation



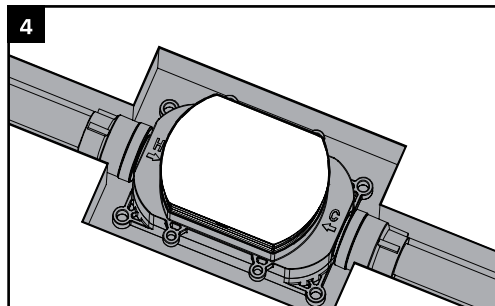
Connect the pipe to the water port, left (H) for hot water and right (C) for cold water. Open the water and test the leakage.



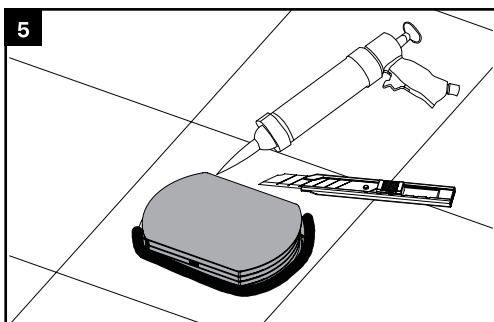
Adjust the 4 screws on valve, make sure the spirit level is at horizontal position.



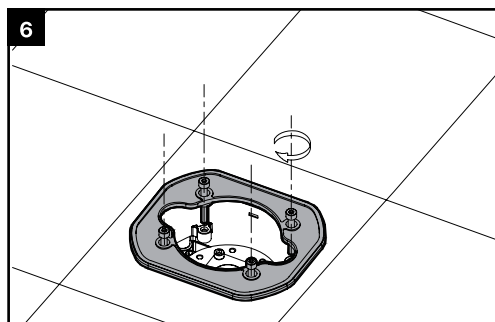
Use the screw driver to fix the valve to the floor by the screws provided.



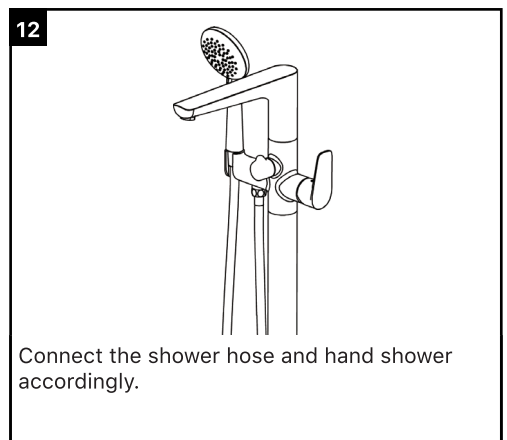
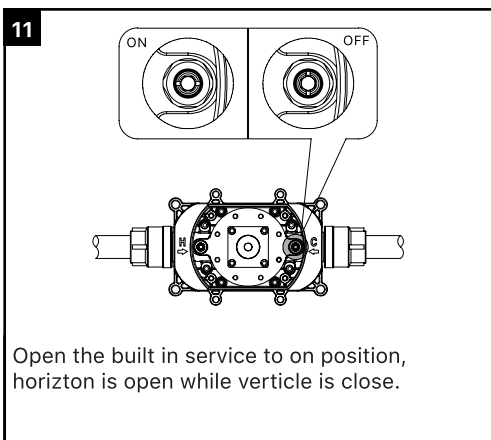
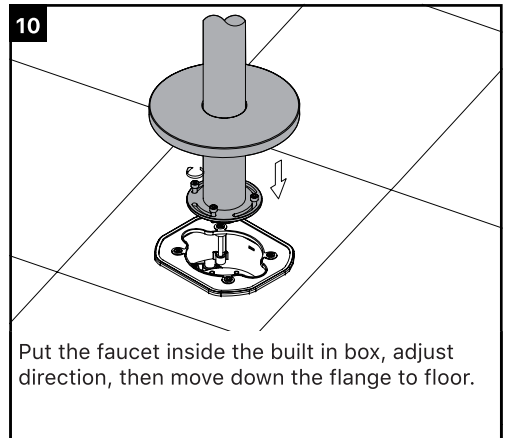
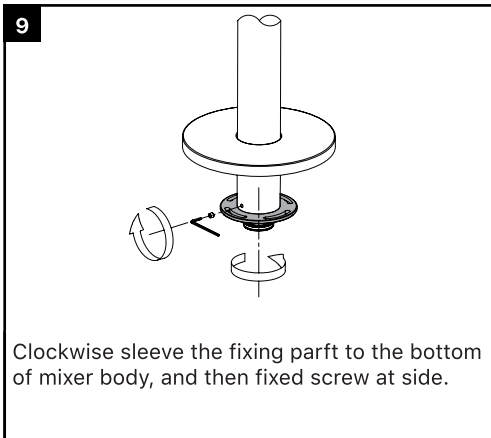
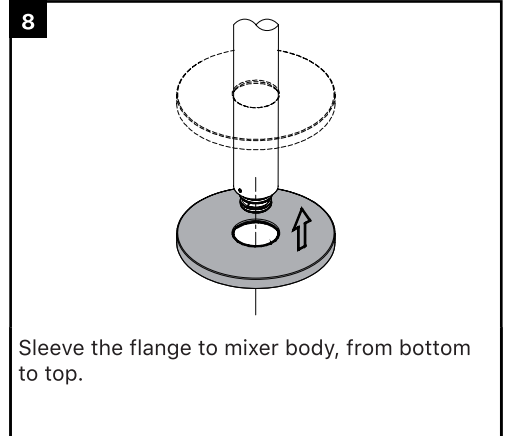
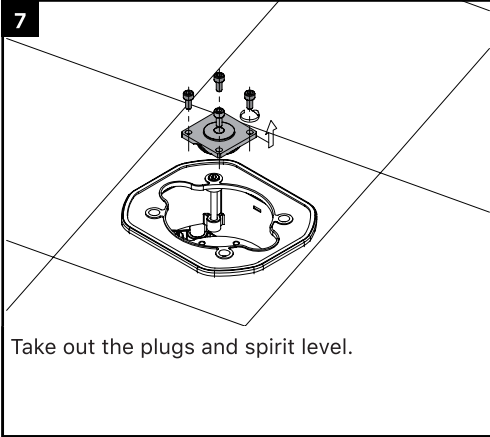
Fixing the box by cement or other filling materials and get the tiles cutted according to the box cover dimension.



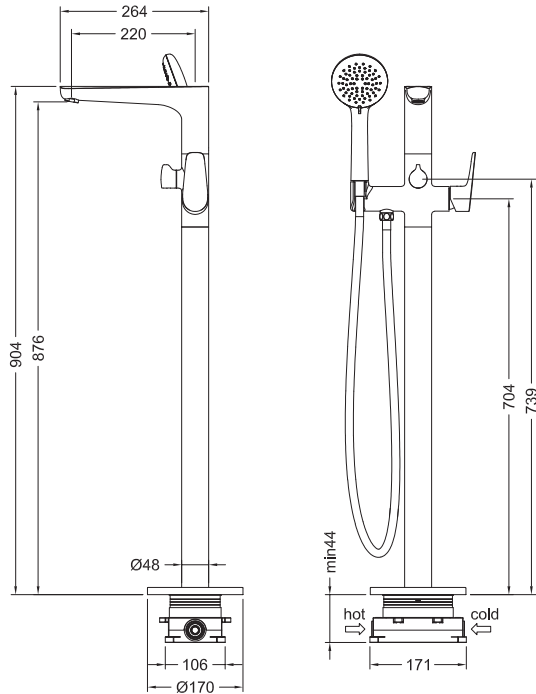
Cut the extra plaster shield, seal the gap with waterproof sealant.



Fixing the waterproof board.



Dimension



Cleaning and care

Our Kitchen and bathroom products are made of solid brass to comply with the needs of the market with regard to design and functionality. To avoid damage to the product, it is necessary to take proper care of it.

Clean the faucet often with a soft cloth to keep it looking like new. For heavy cleaning you can use mild liquid detergents or non-abrasive liquid polisher. Rinse with water and dry with a soft cloth. Avoid abrasive cleaners, steel wool and harsh chemicals as these will dull the finish and void your warranty.